

Z1036 FLOOR DRAIN INSTALLATION STABILIZER



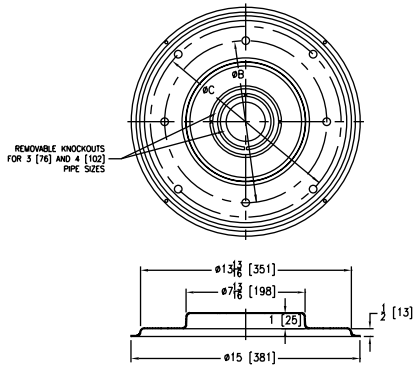
Patented

ENGINEERING SPECIFICATION

Zurn Z1036 floor drain installation stabilizer features #16 gage, galvanized steel plate with variable pipe opening, eight support stud holes, and four nail holes. Complete with hardware bag containing four 3/8"-16 x 12" long studs and eight 3/8"-16 flanged locknuts.

NOTE

- 'B' diameter stud holes are used to accommodate 12" diameter drain body. 'C' diameter stud holes are used to accommodate 15" diameter drain body. (To be used with no-hub and Neo-Loc outlet connections only.)
- For typical installation, see Form No. FD72.



Dimensions in inches [mm]			
Pipe Size	Pipe Opening Diameter	B	C
2 [51]	2-9/16 [65]	10-5/8 [270]	12-1/2 [318]
3 [76]	3-11/16 [94]		
4 [102]	4-11/16 [119]		

PREFIXES	DESCRIPTION	PIPE SIZE	LIST PRICE
Z1036*	Galvanized Steel Plate	2", 3", 4"	148.00



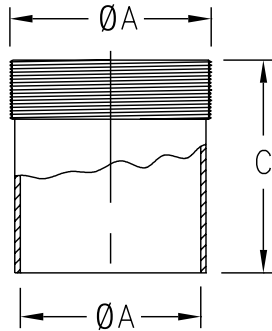
ZN150 Floor Drain with Z1036 Stabilizer

Z1040 NO-HUB ADAPTER



ENGINEERING SPECIFICATION

Zurn Z1040 no-hub adapter features Dura-Coated cast iron with male NPT threaded and no-hub connections.



Product Designation	Dimensions in inches [mm]		Approximate Weight lb [kg]
	A Pipe Size	C	
-2	2 [51]	3-1/2 [89]	1 [0.5]
-3	3 [76]		2 [1]
-4	4 [102]		3 [1]
-5	5 [127]		4 [2]
-6	6 [152]		5 [2]
-8	8 [203]		8 [4]
-10	10 [254]		11 [5]
-12	12 [305]		23 [10]

PREFIXES	DESCRIPTION	PRODUCT DESIG.	PIPE SIZE/OUTLET TYPE	LIST PRICE
Z1040*	D.C.C.I. Body with Male Thread x No-Hub Connection Type	-2	2IP x 2NH	98.00
		-3	3IP x 3NH	140.00
		-4	4IP x 4NH	219.00
		-5	5IP x 5NH	532.00
		-6	6IP x 6NH	668.00
		-8	8IP x 8NH	742.00
		-10	10IP x 10NH	885.00
		-12	12IP x 12NH	1,108.00

SUFFIXES	ADD
-G	Galvanized Cast Iron 87.00

BEST SELLERS	LIST PRICE
Z1040-3NH	140.00
Z1040-4NH	219.00
Z1040-6NH	668.00

INTRO
 ROOF DRAINS
 FLOOR DRAINS
 T, P, BW VALVES
 INTERCEPTORS
 CARRIERS
 HYDRANTS
 CLEANOUTS
 WHA
 SS DRAINS
 FAB SS DRAINS
 SANI-FLO
 TECH INFO